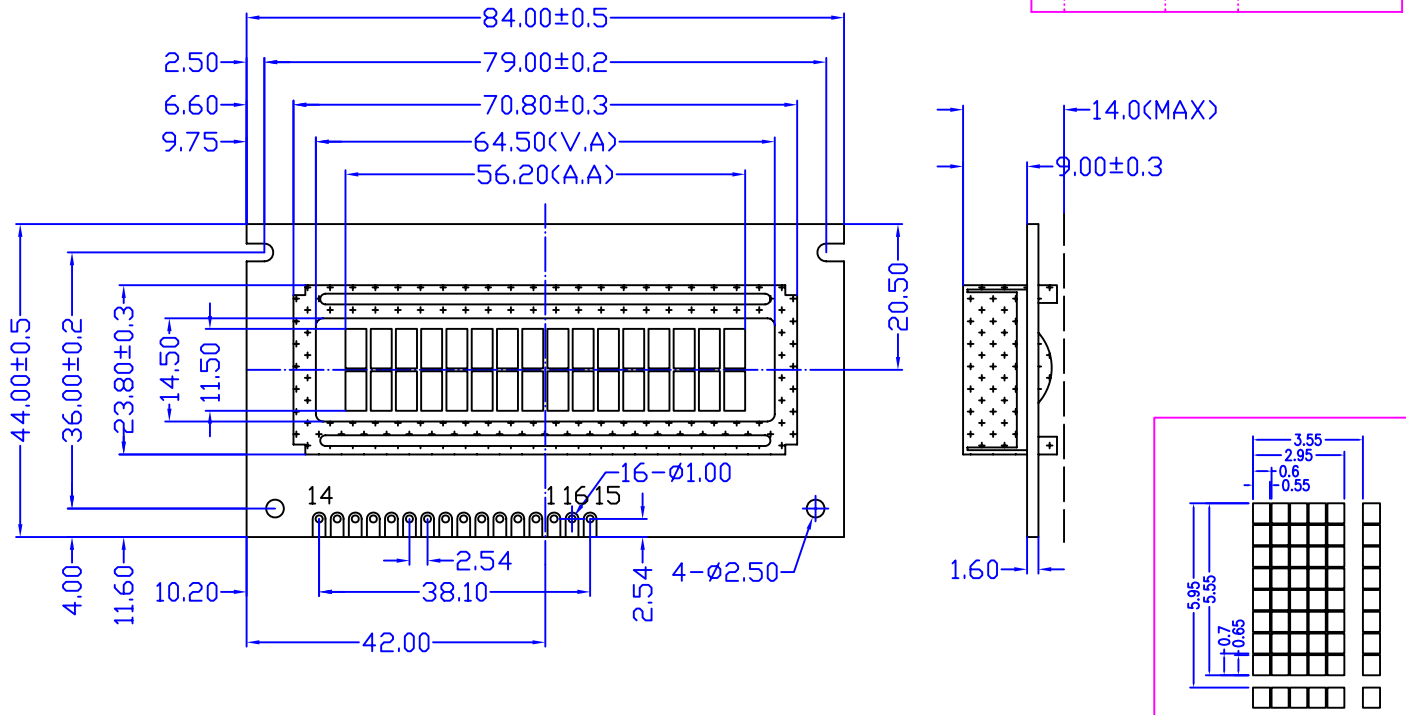
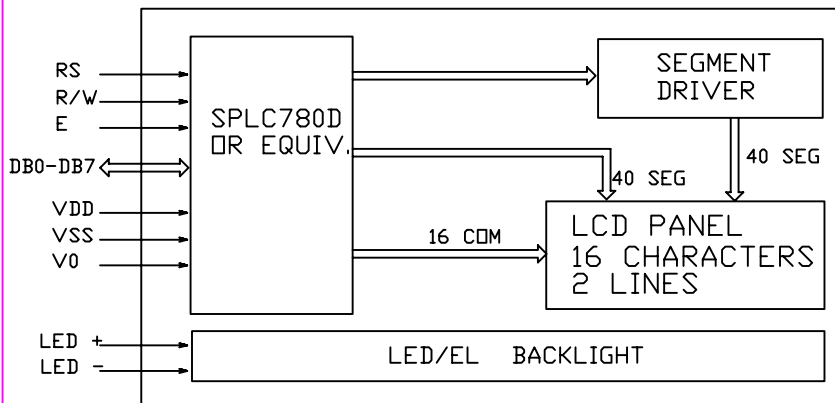


Outline Dimension

REVISIONS			
NO.	DATE	BY	DESCRIPTION
1	08/06/25	ZOLEN	NEW RELEASE



Block Diagram



Feature

1. BUILT IN CONTROLLER: SPLC780D OR EQUIVALENT
2. POWER SUPPLY: 5.0V AND 3.0V AVAILABLE
3. LCD TYPE: BLUE STN,NEGATIVE,TRANSMISSIVE
4. BACKLIGHT: SIDE LED BACKLIGHT
5. COLOUR OF BACKLIGHT: WHITE
6. 5X8 DOTS WITH CURSOR
7. VIEWING ANGLE:6 O'CLOCK
8. TEMPERATURE RANGE:EXTENDED(-20--70)
9. LOW CONSUMPTION,LOW VOLTAGE,HIGH CONTRAST

Mechanical Data

ITEM	SPECIFICATION	UNIT
OVERALL SIZE	84.0W x 44.0H x 14.0T	MM
VIEWING AREA	64.5W x 14.5H	MM
CHARACTERS	16 CHARACTERS X 2 LINES	
CHARACTER SIZE	2.95W x 5.55H	MM
CHARACTER PITCH	3.55W x 5.95H	MM

Pin Assignment

NO.	SYMBOL	DESCRIPTION
1	VSS	GROUND
2	VDD	POWER SUPPLY FOR LOGIC AND LCD
3	V0	OPERATING VOLTAGE FOR LCD
4	RS	DATA/INSTRUCTION SELECT
5	R/W	READ/WRITE CONTROL
6	E	ENABLE SIGNAL
7--14	DB0--DB7	DATA BUS
15	A	LED BACKLIGHT POWER SUPPLY(+)(+5V)
16	K	LED BACKLIGHT POWER SUPPLY(-)(0V)

Absolute Maximum Rating

ITEM	SYMBOL	MIN	MAX	UNIT
POWER SUPPLY(LOGIC)	VDD-VSS	-0.3	7.0	V
POWER SUPPLY(LCD DRV.)	VDD-V0	-0.3	13.5	V
INPUT VOLTAGE	VI	-0.3	VDD	V

Electrical Characteristics

ITEM	SYMBOL	MIN	TYP	MAX	UNIT
VOLTAGE FOR LOGIC	VDD-VSS	4.75	5.0	5.25	V
SUPPLY CURRENT	IDD	-	1.0	2.2	mA
LCD OPERATING VOLTAGE	0C	-	5.0	-	V
	25C	-	4.7	-	V
	40C	-	4.4	-	V
INPUT VOLTAGE	H	2.2	-	VDD	V
	L	-0.3	-	0.6	V

ALL DIMENSIONS ARE IN MM. TOLERANCE IS +/-0.2 UNLESS OTHERWISE NOTED.



JXD1602C

16 CHARACTERS X 2 LINES

EXPERT IN LCD